

LRM Rubber Mounts

LIVA-EP
利瓦环保

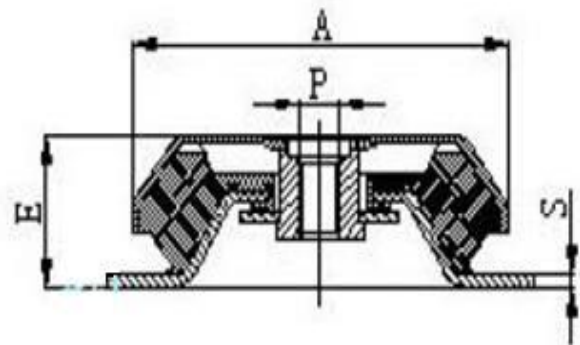
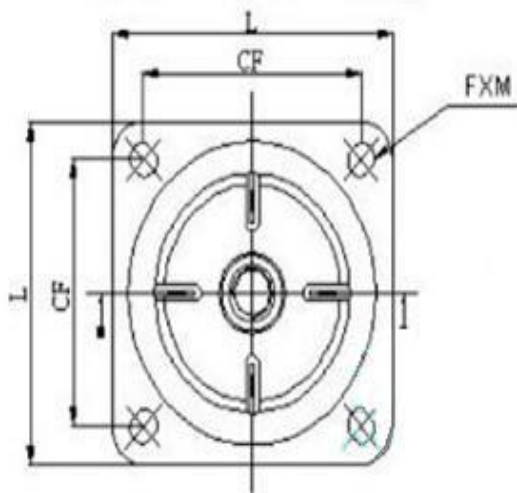
Feature:

- ★ Superior safety.
- ★ Weather resistant finish.
- ★ Heavy-duty vibration isolation.
- ★ Rubber used shock-absorbing, oil-resistant natural rubber.
- ★ Wide temperature range: -40°C ~ 120°C.



Applications:

- ★ Motors 、 Engine 、 Generators 、 Transformer 、 Electronic facilities 、 On-board equipment



Custom sizes and loads can be customized according to your needs

Type	Rubber hardness	Dimensions mm							Spring Rate KG/mm	Optimum reduction mm	Capacity KG
		L	CF	E	A	P	F*M	S			
LRM-750	40	170	132	50	150	M16/M20	14*18	5	125	6	300~750
LRM-1000	60	170	132	50	150	M16/M20	14*18	5	183	6	500~1100
LRM-2000	60	190	150	66	180	M16/M20	18.5*21	5	329	7	1100~2300
LRM-3000	60	220	180	105	220	M20/M24	17.5*20	5	213	15	1700~3200