

LRN Rubber Mounts

LIVA-EP
利瓦环保

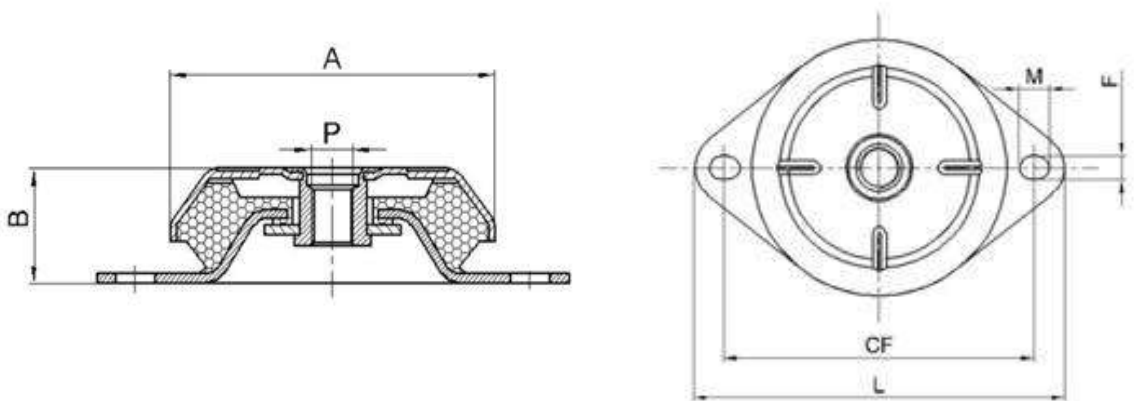
Feature:

- ★ Superior safety.
- ★ Weather resistant finish.
- ★ Heavy-duty vibration isolation.
- ★ Rubber used shock-absorbing, oil-resistant natural rubber.
- ★ Wide temperature range: -40°C~120°C.



Applications:

- ★ Motors, Engine, Generators, Transformer, Electronic facilities , On-board equipment



Custom sizes and loads can be customized according to your needs

Type	Dimensions (mm)							Spring Rate KG/mm	Optimum reduction mm	Capacity KG
	L	CF	A	B	P	F*M	t			
LRN-100	110	89	63	30	M8/M10	9*14	2.5	52	2.3	50~120
LRN-200	135	110	78	30	M10/M12	9*12	3	117	2.3	108~267
LRN-300	150	123.5	92	35	M10/M12	10*15	3	91	3.5	175~315
LRN-500	175	143	106	38	M14/M16	13*19	4	129	3.5	315~450
LRN-700	192	156	125	43	M16/M18	14.5*20	4	200	4	450~780
LRN-1100	218	182	150	50	M18/M20	14*18	4	183	6	750~1100