

VE Air Mount

LIVA-EP
利瓦环保

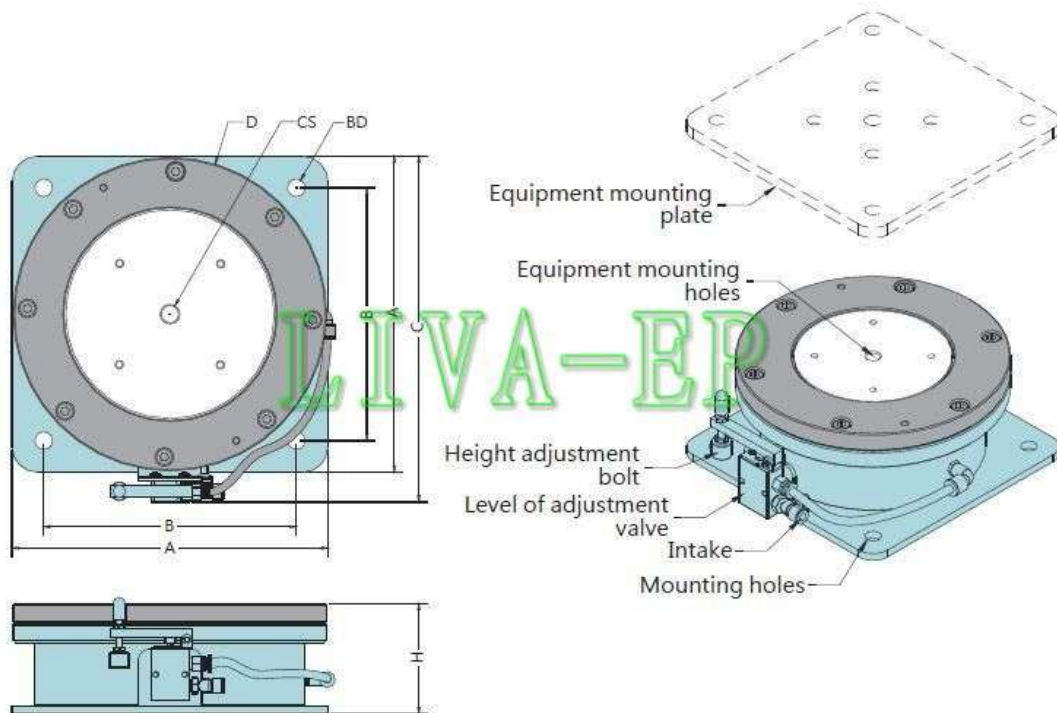
Feature:

- ★ The LIVA VE series pneumatic vibration isolation system uses servo controlled air springs.
- ★ Minimal settling time with optimum damping and correct valve gain.
- ★ Vertical adjustable damping.
- ★ Support payloads from 75 kg to 1200 kg.
- ★ Per isolator Valve re-leveling accuracies to ± 0.2 mm.
- ★ Easily integrated into machine designs.



Applications:

- ★ Metrology Instruments 、 Electron Microscopes 、 Coordinate Measuring Machines 、 Precision Manufacturing Equipment、 Sensitive Optical Laboratory Equipment、 Environmental Test Equipment 、 Inspection and Calibration Equipment、 Specialized Isolated Foundations



Note: The device mounting plate is optional.

Type	Dimension (mm)							Load Range KG
	A	B	C	D	H	CS	BD	
LIVA-75-VE	110	95	130	72	88	M8	6	40~80
LIVA-150-VE	140	115	166	114	88	M10	9	50~180
LIVA-400-VE	170	135	195	174	88	M12	12	180~480
LIVA-700-VE	200	160	225	200	88	M12	12	480~720
LIVA-1200-VE	250	200	275	248	88	M16	14	720~1250