

VF Air Mount

LIVA-EP
利瓦环保

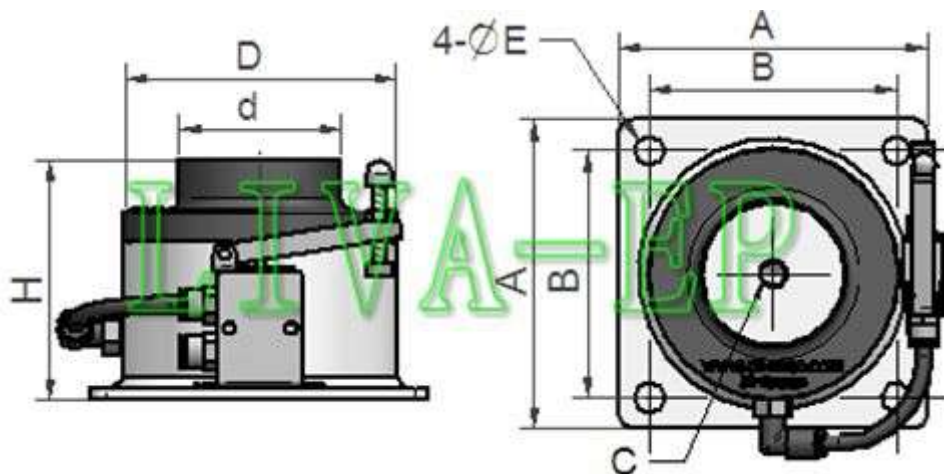
Feature:

- ★ The LIVA VF series pneumatic vibration isolation system uses servo controlled air springs.
- ★ Minimal settling time with optimum damping and correct valve gain.
- ★ Vertical adjustable damping.
- ★ Support payloads from 200 kg to 5000 kg.
- ★ Per isolator Valve re-leveling accuracies to ± 0.2 mm.
- ★ Easily integrated into machine designs.



Applications:

- ★ Metrology Instruments 、 Electron Microscopes 、 Coordinate Measuring Machines 、 Precision Manufacturing Equipment、 Sensitive Optical Laboratory Equipment、 Environmental Test Equipment 、 Inspection and Calibration Equipment、 Specialized Isolated Foundations



Type	Dimensions (mm)							Capacity KG
	A	B	C	Ø D	Ø d	Ø E	H	
LIVA-400-VF	160	140	M12	123	76	14	110	200~400
LIVA-700-VF	200	160	M12	164	110	14	110	400~700
LIVA-900-VF	200	160	M16	190	130	14	110	700~900
LIVA-1200-VF	250	200	M16	212	150	14	110	900~1200
LIVA-1600-VF	300	250	M16	263	190	14	110	1200~1600
LIVA-2000-VF	350	300	M16	314	240	14	110	1600~2000
LIVA-3500-VF	470	410	M20	422	330	18	110	2000~3500
LIVA-5000-VF	530	470	M24	502	390	20	110	3500~5000