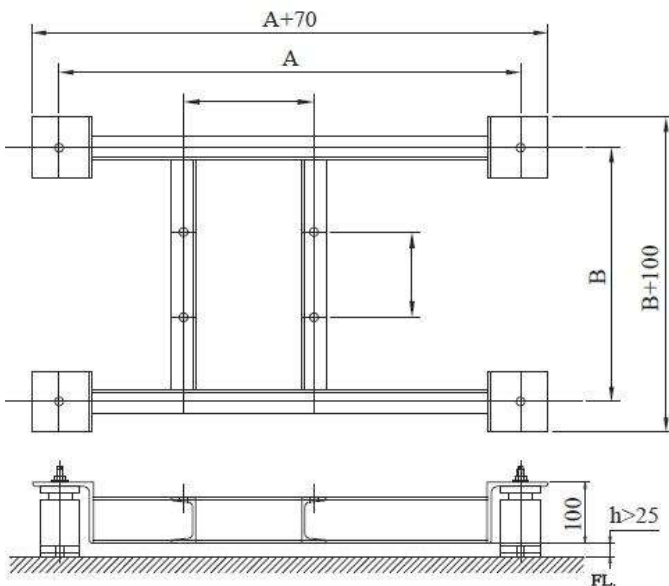
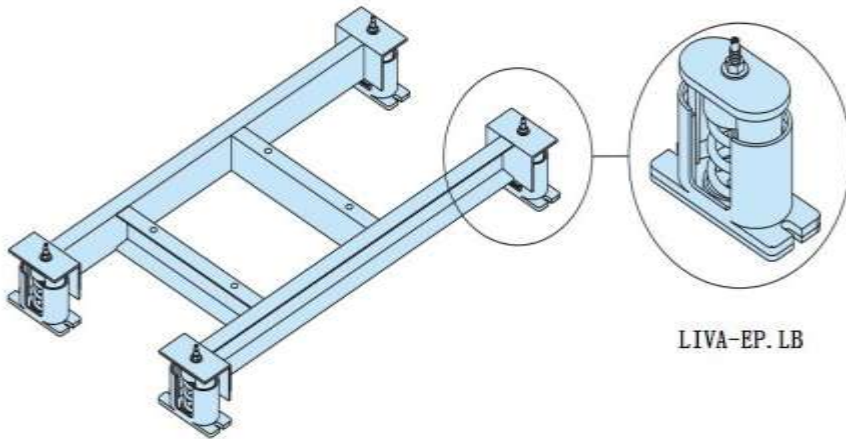


CF Base

LIVA-EP
利瓦环保



FEATURES

- Low natural frequency
- Hot dip galvanized finish
- Spring in protective impact resistance cases

BENEFITS

- Quick and easy installation
- Heavy-duty vibration isolation
- Weather resistant finish

APPLICATIONS

- Pumps
- Motors

Type	Pump		Dimensions (mm)		Channel iron
	Straight (HP)	Coupling (HP)	A	B	
CF-0805	1~5		800	500	75*40*5t
CF-0906	7.5~10		900	600	75*40*5t
CF-1008	15~30		1000	800	75*40*5t
CF-1209	40~50		1200	900	100*50*5t
CF-1410	60~75		1400	1000	100*50*5t
CF-1511	75~100		1500	1100	100*50*5t
CF-1307		3~5HP	1300	700	75*40*5t
CF-1408		7.5~10	1400	800	75*40*5t
CF-1710		15~20	1700	1000	100*50*5t
CF-1911		25~40	1900	1100	100*50*5t
CF-2111		50~60	2100	1100	100*50*5t