

# Soundproof Door

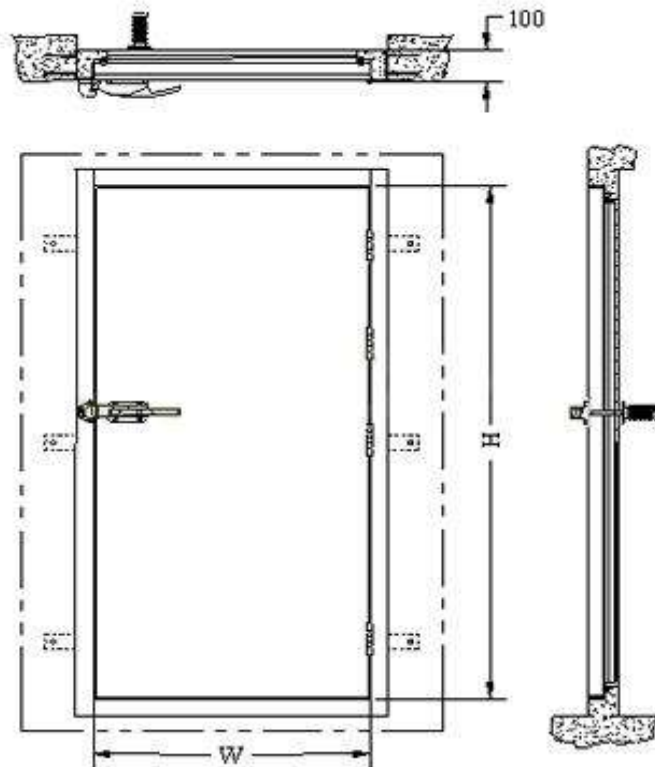
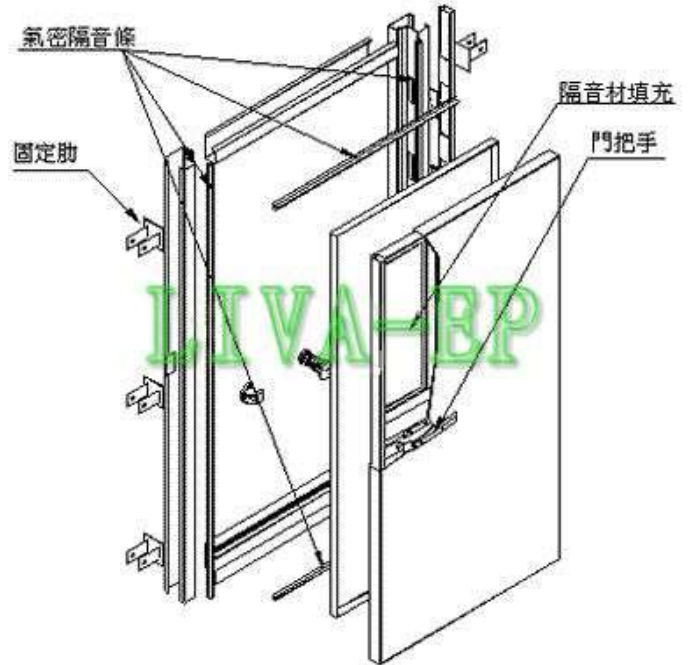
LIVA-EP  
利瓦环保

## Feature:

- ★ Soundproof door material for the SUS 304 good weather resistance.
- ★ Sound insulation inside the door insulation material, good sound insulation.
- ★ Inside the door frame filled with cement, easy to install and increase the sound insulation performance.
- ★ Heavy-duty hinge installation design, door frame is not deformed.

## Applications:

- ★ Sound insulation of the room



Type	W	H
LGY-1000	1000	2000
LGY-1200	1200	2000

# Soundproof Door

LIVA-EP  
利瓦环保

Period distinction:

Morning: 5 am to 7 am.

Evening: 8pm to 10pm (country) or eleven (city).

Day: refers to 7 am to 8 pm.

Night: 10pm (Village) or 11pm (city) until 5am the following day

Control area distinction:

Noise control law enforcement rules Article 7 of the first paragraph of the noise control is divided into four categories refers to:

The first type of control area: refers to the region where the environment needs peace.

Type II control area: refers to the use of residential and the need for peaceful areas.

The third type of control area: refers to the industrial, commercial and residential use and need to maintain its residential tranquility of the region.

The fourth category of control areas: refers to the use of industrial-based and need to prevent serious noise affecting the residential area in the vicinity of peace.

Volume Unit:

Decibels (dB (A)) in parentheses A refers to the measured value of the A-position on the noise meter.

工厂(场)噪音管制标准			
管制区	早、晚	日间	夜间
	dB(A)		
第一类	45	50	40
第二类	55	60	50
第三类	65	70	55
第四类	75	80	70
娱乐场所、营业场所噪音管制标准			
管制区	早、晚	日间	夜间
	dB(A)		
第一类	50	55	40
第二类	60	65	50
第三类	65	75	55
第四类	70	80	65