

# LH-D Hanger Mounts

LIVA-EP  
利瓦环保

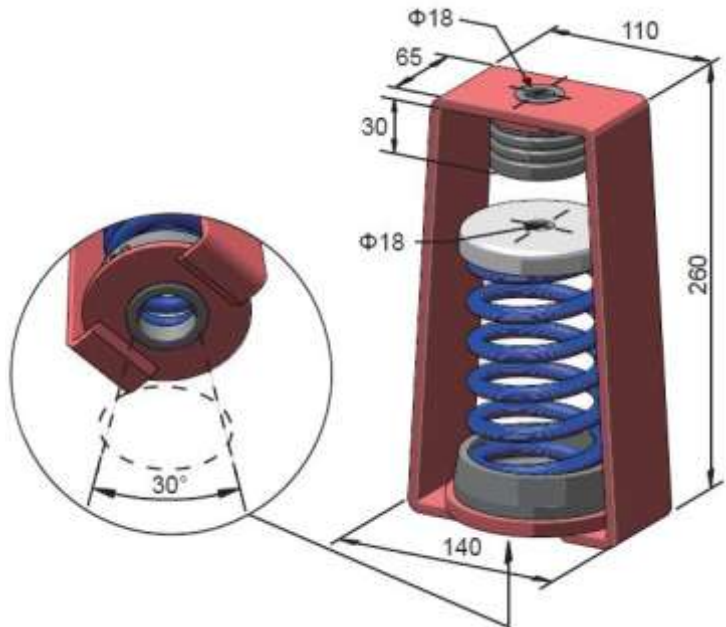
## Feature:

- ★Neoprene bushing for upper mounting rod.
- ★With deflection scale.
- ★Fail safe design.
- ★Natural frequency 2.3Hz.
- ★Noise and vibration isolation.
- ★Maintenance free .
- ★Wide load range available.
- ★Spring diameter shall be not less than 0.8 times the compressed height of the spring at the design load. Springs shall have a minimum additional travel to solid equal to 50 percent of the actual deflection.



## Applications:

- ★Hanging ceilings.
- ★HVAC ducting networks.
- ★Other suspension applications



Type	Spring rate KG/mm	Rated Defl. mm	Rated Capacity KG	Color Code
LH-100-D	2.0	50	90~120	Yellow
LH-150-D	3.0	50	120~160	White
LH-250-D	5.0	50	160~260	Green
LH-350-D	7.0	50	320~360	Red
LH-450-D	9.0	50	420~470	Brown
LH-600-D	12.0	50	570~620	Gray
LH-750-D	15.2	50	700~750	Khaki
LH-850-D	17.0	50	750~870	Green
LH-1000-D	20.0	50	870~1050	Blue