

LH-MR § C Hanger Mounts

LIVA-EP
利瓦环保

Feature:

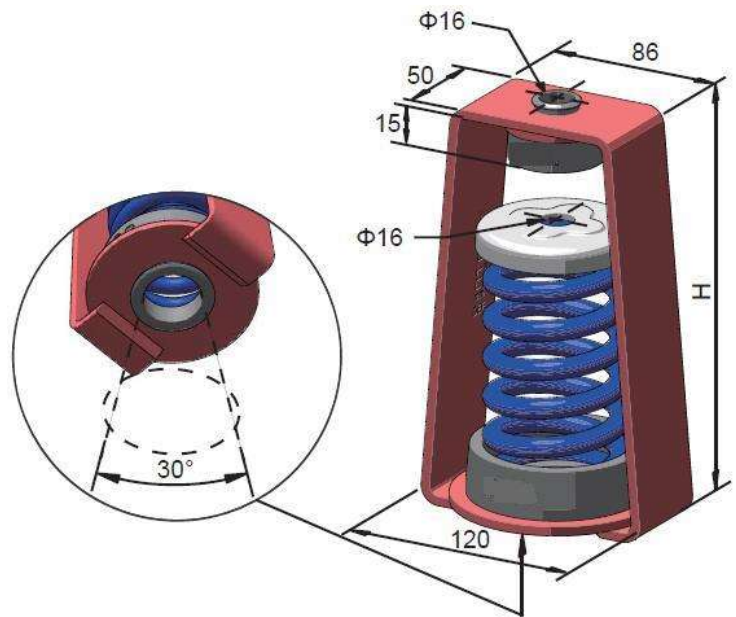
- ★Spring diameter shall be not less than 0.8 times the compressed height of the spring at the design load. Springs shall have a minimum additional travel to solid equal to 50 percent of the actual deflection.
- ★Neoprene bushing for upper mounting rod.
- ★With deflection scale.
- ★Fail safe design.
- ★Neoprene spring cup with a projecting bushing to prevent steel-to-steel contact.
- ★Noise and vibration isolation.
- ★Maintenance free .
- ★Wide load range available.



Applications:

- ★Hanging ceilings,
- ★HVAC ducting networks,
- ★Other suspension applications
- ★Piping networks
- ★Fans, Air units

| Type | H mm |
|-------|------|
| LH-MR | 200 |
| LH-C | 210 |



| Type | Spring rate KG/mm | Rated Defl. mm | Rated Capacity KG | Color Code |
|------------|----------------------|-------------------|----------------------|------------|
| LH-050-MR | 2.1 | 25 | 30~50 | Purple |
| LH-100-MR | 4.0 | 25 | 50~130 | Yellow |
| LH-150-MR | 6.0 | 25 | 130~160 | White |
| LH-200-MR | 8.0 | 25 | 160~210 | Green |
| LH-250-MR | 10.0 | 25 | 210~260 | Red |
| LH-300-MR | 12.0 | 25 | 260~320 | Green |
| LH-400-MR | 16.0 | 25 | 360~430 | Brown |
| LH-500-MR | 20.0 | 25 | 470~530 | Red |
| LH-600-MR | 24.0 | 25 | 530~650 | Gray |
| LH-700-MR | 28.0 | 25 | 650~700 | Yellow |
| LH-850-MR | 34.0 | 25 | 700~850 | Khaki |
| LH-1000-MR | 40.0 | 25 | 850~1000 | Dark Green |

LH-MR § C Hanger Mounts

LIVA-EP
利瓦环保

| Type | Spring rate KG/mm | Rated Defl. mm | Rated Capacity KG | Color Code |
|-----------|----------------------|-------------------|----------------------|------------|
| LH-150-C | 3.8 | 40 | 100~160 | Blue |
| LH-200-C | 5.0 | 40 | 160~210 | Brown |
| LH-300-C | 6.9 | 40 | 210~310 | Orange |
| LH-350-C | 8.8 | 40 | 310~360 | Gray |
| LH-450-C | 11.3 | 40 | 360~460 | Red |
| LH-650-C | 16.3 | 40 | 460~670 | Green |
| LH-850-C | 21.3 | 40 | 670~850 | Dark Green |
| LH-1000-C | 26.6 | 40 | 720~1000 | Yellow |

