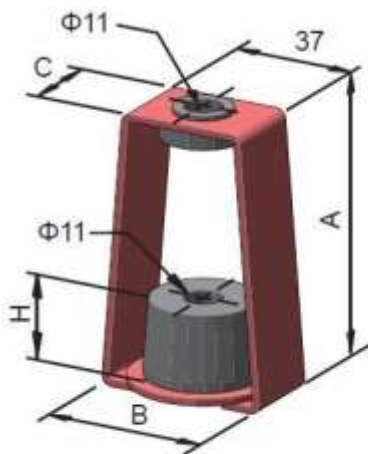
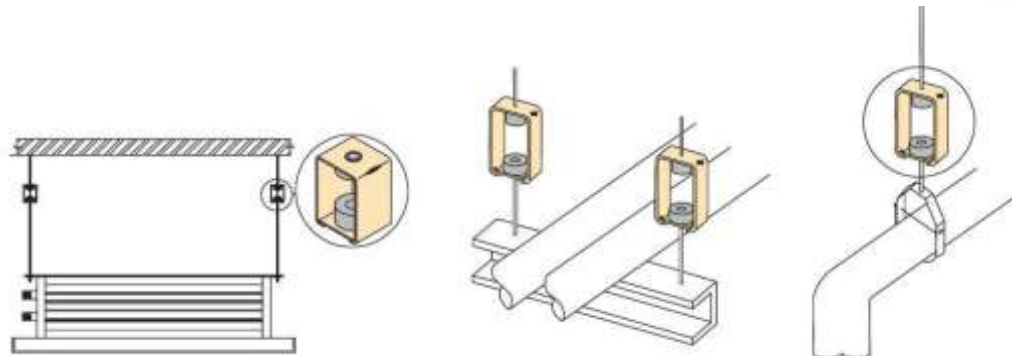


# LH-R Hanger Mounts

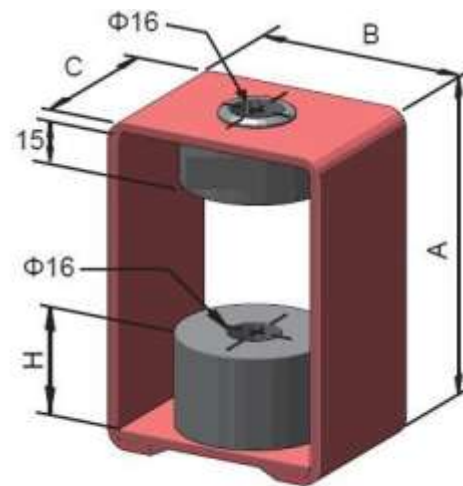
LIVA-EP  
利瓦环保

## Feature:

- ★Fail safe design.
- ★Easy to install and suited to support lightweight equipment .
- ★Noise and vibration isolation.
- ★Low maintenance.
- ★Wide load range available.



LH-025-R



LH-R

## Applications:

- ★Hanging ceilings, HVAC ducting networks, Piping networks, Other suspension applications, Fans, Air handlers

Type	Dimensions (mm)					Capacity KG
	A	B	C	t	H	
LH-025-R	80	50	25	2	22	5~25
LH-050-R	100	70	50	3	22	25~50
LH-120-R	100	70	50	3	27	50~120
LH-200-R	125	70	60	3	32	120~200
LH-350-R	125	70	60	3	42	200~350