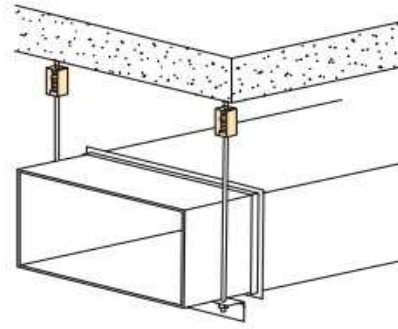


LH-S Hanger Mounts

LIVA-EP
利瓦环保

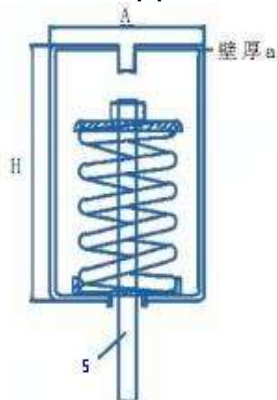
Feature:

- ★ Neoprene spring cup with a projecting bushing to prevent steel-to-steel contact.
- ★ Neoprene bushing for upper mounting rod.
- ★ Noise and vibration isolation.
- ★ Wide load range available.



Applications:

- ★ Hanging ceilings, HVAC ducting networks, Piping networks, Other suspension applications, Fans, Air units



Type	Rated Capacity KG	Dimensions (mm)						
		H	Cover A	Lower A	B	a	Bolt Hole	Screw
LH-020-S	5~20	80	60	60	35	2.5	10.5	8
LH-030-S	20~30	117	57	62	45	3	11	8
LH-050-S	30~50	124	59	67	50	3	11	10
LH-070-S	50~70	131	64	72	55	3	11	10
LH-120-S	70~120	140	69	84	60	3	13	12
LH-150-S	120~150	151	74	84	65	3	13	12
LH-200-S	150~200	159	80	96	70	3	15	14
LH-250-S	200~250	198	94	94	80	4	17	14
LH-300-S	250~300	198	94	94	80	4	17	16
LH-450-S	300~450	198	110	110	85	4	20	16
LH-650-S	450~650	210	110	110	90	4	20	18
LH-1000-S	650~1000	210	120	120	100	4	20	18