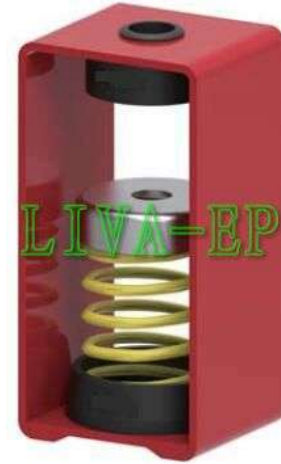


LH-SR Hanger Mounts

LIVA-EP
利瓦环保

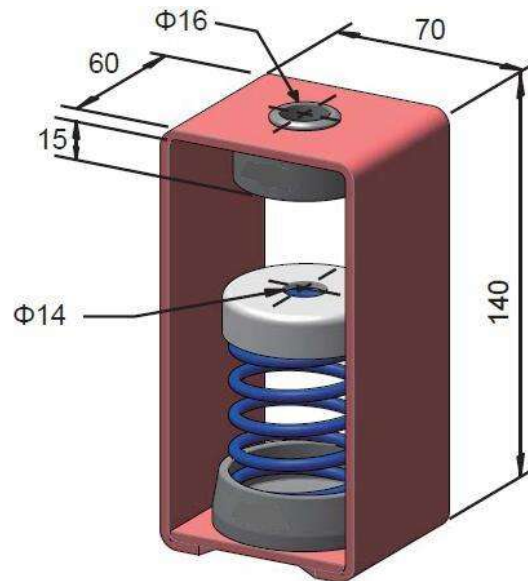
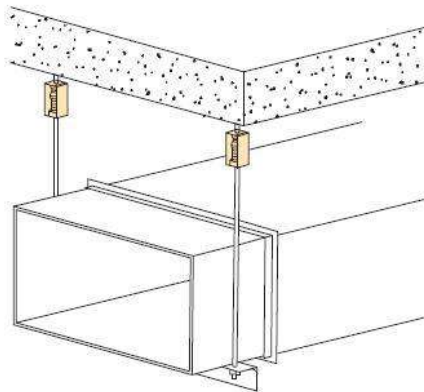
Feature:

- ★ Spring diameter shall be not less than 0.8 times the compressed height of the spring at the design load. Springs shall have a minimum additional travel to solid equal to 50 percent of the actual deflection.
- ★ Neoprene spring cup with a projecting bushing to prevent steel-to-steel contact.
- ★ Neoprene bushing for upper mounting rod.
- ★ With deflection scale .
- ★ Fail safe design.
- ★ Noise and vibration isolation.
- ★ Maintenance free.
- ★ Wide load range available.



Applications:

- ★ Hanging ceilings、 HVAC ducting networks、 Piping networks、 Other suspension applications、 Fans、 Air units



LH-SR

Type	Spring rate KG/mm	Rated Defl. mm	Rated Capacity KG	Color Code
LH-020-SR	0.8	25	10~20	Yellow
LH-030-SR	1.2	25	20~30	Green
LH-050-SR	2	25	30~50	Red
LH-070-SR	2.8	25	50~80	Blue
LH-090-SR	3.6	25	80~100	Brown
LH-120-SR	4.8	25	100~130	Gray
LH-150-SR	6	25	130~150	White