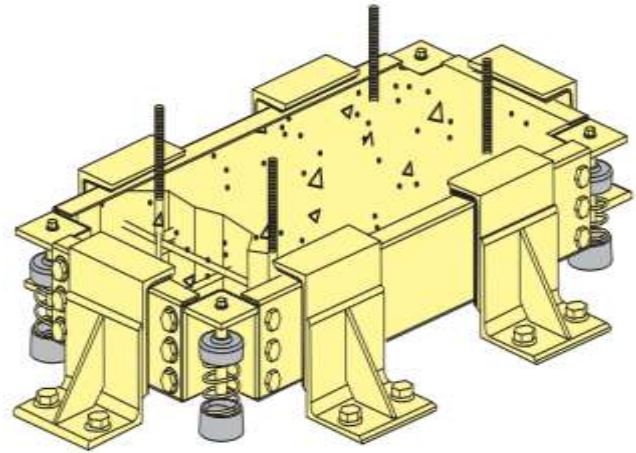
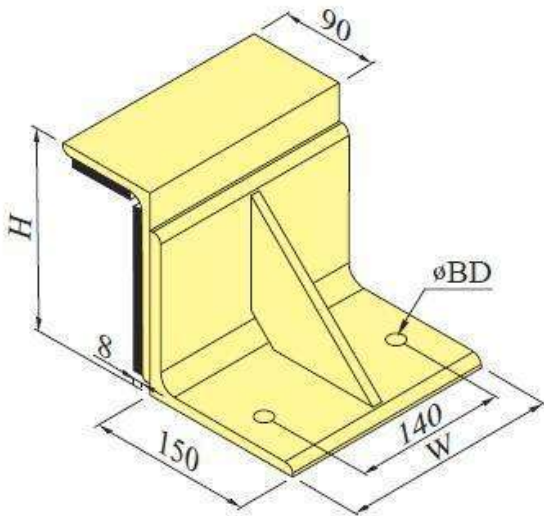


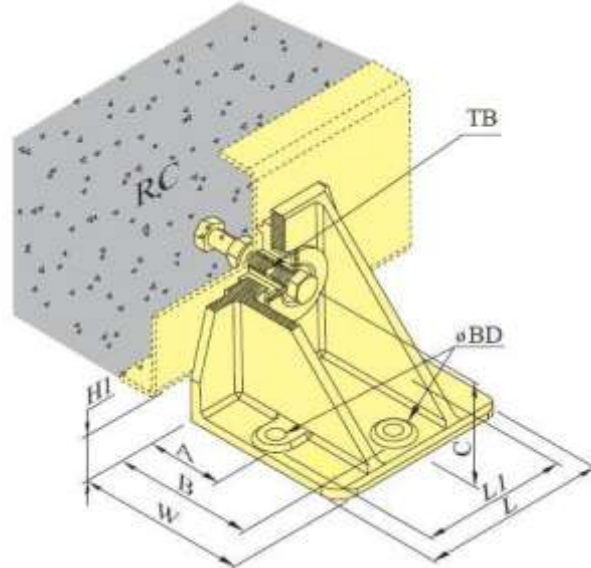
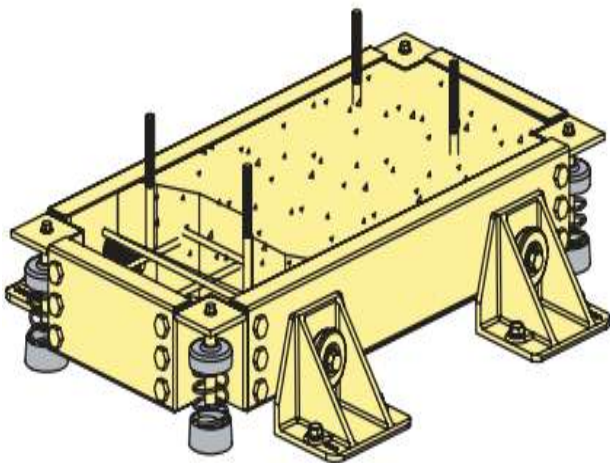
# LCZ Seismic Snubber

LIVA-EP  
利瓦环保



LCZ-50&100 SEISMIC SNUBBER

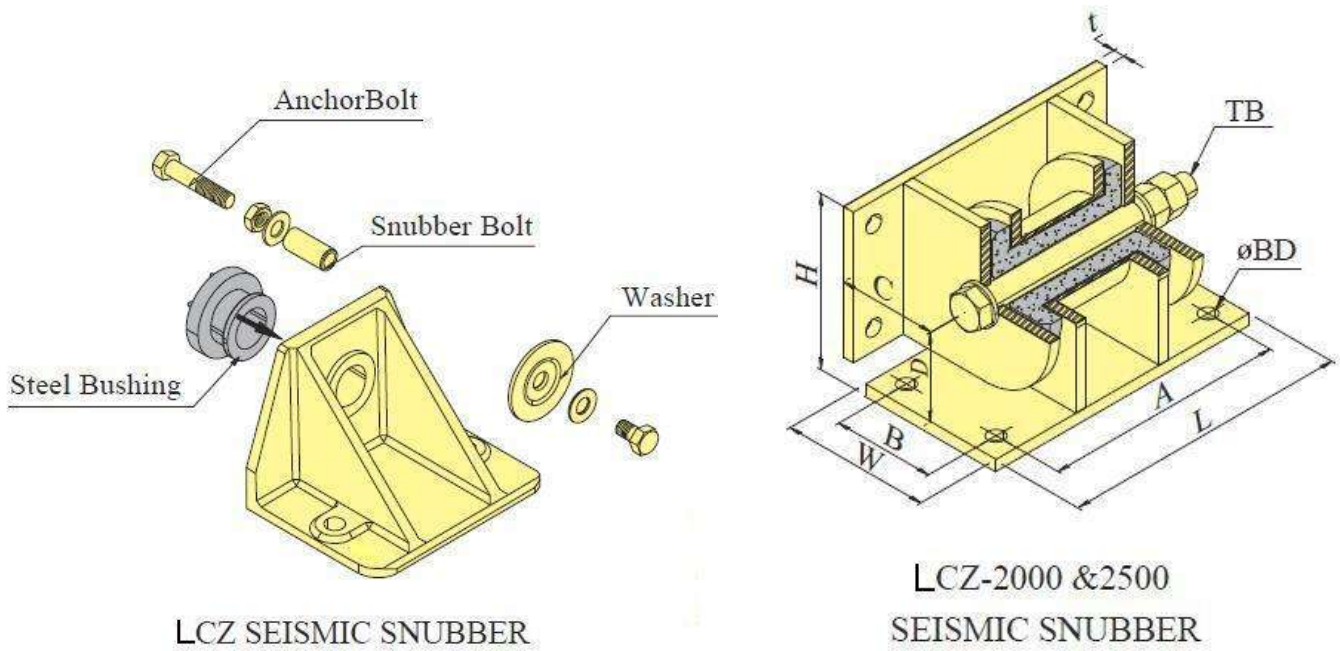
Type	Dimensions (mm)			Base Thickness
	W	H	$\phi BD$	
LCZ-50	200	200	18	6"
LCZ-100	200	250	18	8"



Type	Dimensions (mm)								Thru Bolt
	L	L1	W	H	$\phi BD$	A	B	C	
LCZ-250	180	140	120	110	14	60	*	60	5/8"
LCZ-500	220	170	170	160	18	90	*	90	3/4"
LCZ-600	220	170	200	195	18	90	165	120	3/4"

# LCZ Seismic Snubber

LIVA-EP  
利瓦环保



Type	Dimensions (mm)									
	L	W	A	B	C	D	∅BD	H	TB	t
LCZ-2000	310	160	260	110	107	107	19	187	M24	12
LCZ-2500	350	190	290	130	134	134	25	229	M30	19