

# LG-M Seismic Snubber

LIVA-EP  
利瓦环保

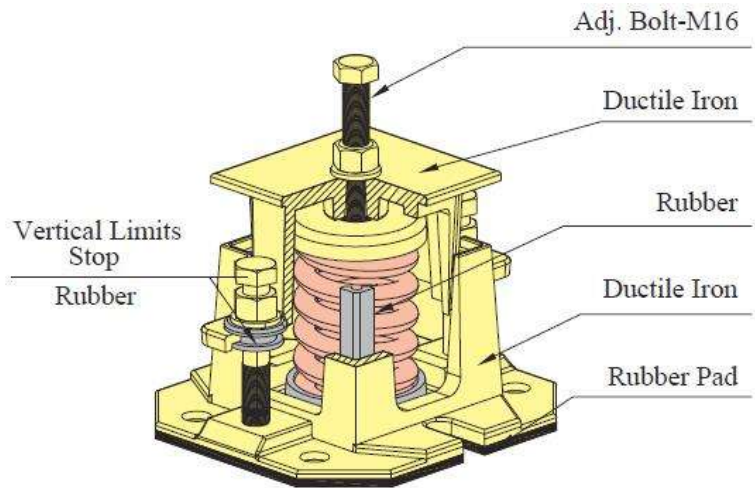
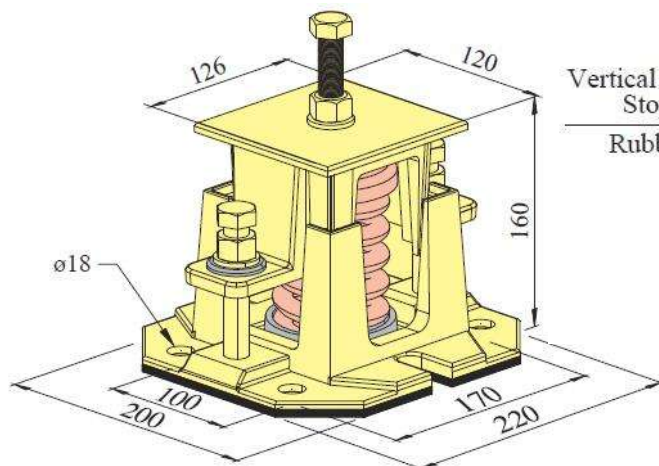
## Feature:

- ★Vibration Isolators and Seismic Restraints
- ★Ductile iron frame and housing.
- ★Seismic strength: horizontal direction: 1G, vertical direction: 0.5G.
- ★Low natural frequency.
- ★Hop dip galvanization finish.
- ★Non-skid Neoprene pad.
- ★Resilient housing guides to prevent metal-to-metal contact.
- ★Quick and easy installation.
- ★Heavy-duty vibration isolation.
- ★Weather resistant finish.



## Applications:

- ★ Heavy engines , Pumps , Compressors, Chillers, Boilers, Generators



Type	Rated Capacity KG	Spring Rate KG/mm	Rated Defl. mm	Color Code
LG-170-M	150~190	4.3	40	Blue
LG-200-M	175~225	5.0	40	Brown
LG-270-M	230~300	6.8	40	Gray
LG-340-M	300~380	8.5	40	White / Black
LG-410-M	360~460	10.3	40	Green / Black
LG-450-M	420~470	11.3	40	Khaki
LG-530-M	500~550	13.2	40	Gray / Black
LG-650-M	620~690	16.3	40	Drak Green
LG-700-M	680~750	17.8	40	Khaki / Black
LG-750-M	710~790	18.8	40	Red
LG-910-M	860~960	22.8	40	Green / Black
LG-1000-M	960~1060	25.3	40	Red / Black