

LWB Seismic Snubber

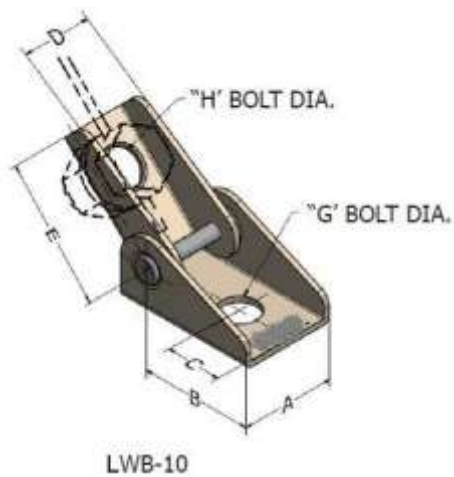
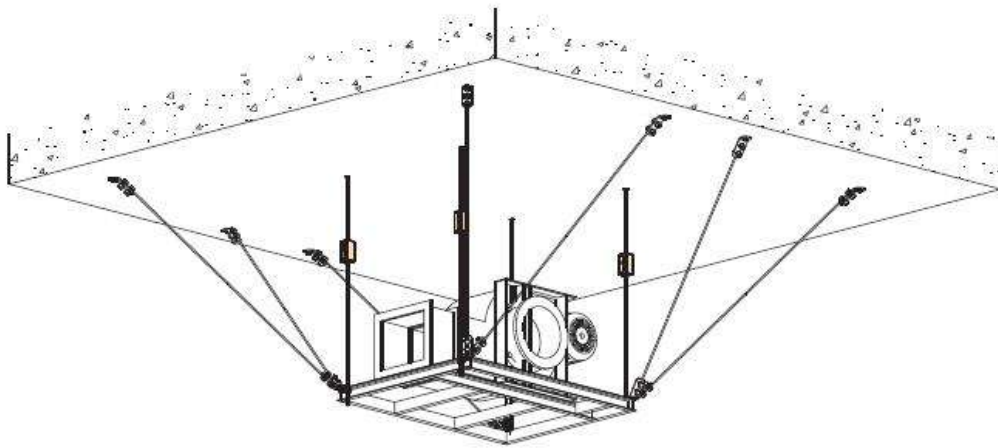
LIVA-EP
利瓦环保

Feature:

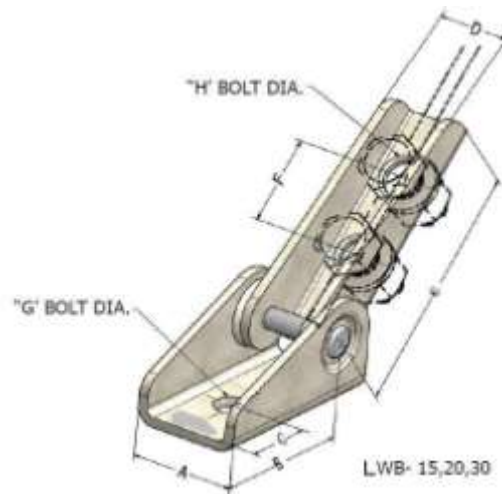
- ★Superior Safety.
- ★Utilized regardless of installation angle.
- ★Easy to install and adjustment.

Applications:

- ★Pipe Riser Support、 Systems suspended equipment seismic restraintground、
- Support equipment seismic restraint



LWB-10



LWB- 15,20,30

Type	Dimensions (mm)								Cable inch	Capacity KG
	A	B	C	D	E	F	G	H		
LWB-10	32	38	19	23.5	42	*	13	13	1/8"	300
LWB-15	35	50	25	25	80	32	13	13	5/32"	650
LWB-20	50	75	35	34	115	40	18	18	3/16"	1200
LWB-30	50	75	35	34	115	40	18	18	1/4"	2000