

LZ Spring Mounts

LIVA-EP
利瓦环保

Feature:

★The intrinsic spring resonance amplitude is eliminated by the double advantage of low frequency and damping of steel spring.

★Natural frequency 4.5 Hz - 4.9 Hz, damping ratio 0.065.

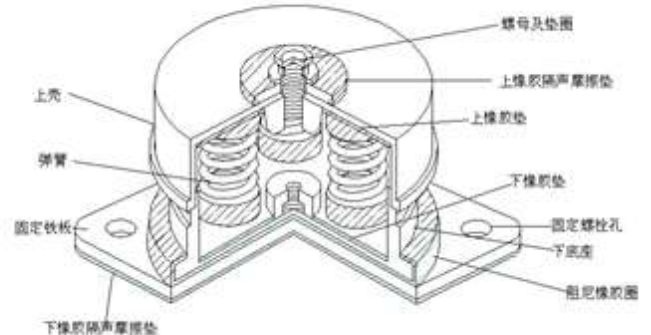
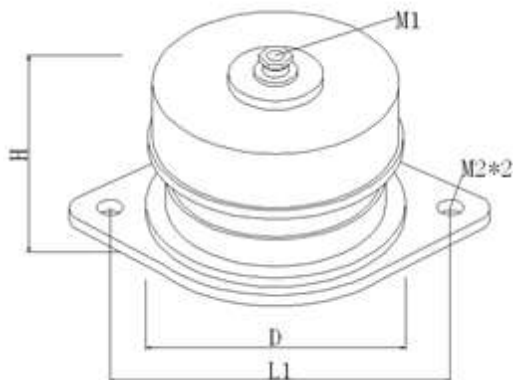
★Low natural frequency, good vibration isolation, convenient installation and replacement, safe and reliable, long working life, and strong adaptability to work environment.

★Can eliminate mechanical structure vibration, and protect and extend mechanical life.

Applications:

★Central air conditioning equipment such as pumps, fans, air conditioning boxes, vacuum pumps, heat pumps, etc.

★Small generator, air compressor, transformer, vibrating screen and other vibration equipment.



Type	Rated Capacity KG	Spring Rate KG/mm	Dimensions mm					
			H	L	D	L1	M	2-∅
LZ-050	30~50	3	82	173	111	139	M12	M12*2
LZ-080	50~80	5.3	82	173	111	139	M12	M12*2
LZ-120	80~120	8	82	173	111	139	M12	M12*2
LZ-160	120~160	10.7	97	177	125	144	M15	M12*2
LZ-200	160~200	13.3	97	177	125	144	M12	M12*2
LZ-260	200~260	17.3	102	177	125	144	M12	M12*2
LZ-320	260~320	21.3	102	177	125	144	M12	M12*2
LZ-360	320~360	24	110	223	155	189	M12	M15*2
LZ-420	360~420	28	110	223	155	189	M12	M15*2
LZ-480	420~480	32	110	223	155	189	M12	M15*2

LZ Spring Mounts

LIVA-EP
利瓦环保

Type	Rated Capacity KG	Spring Rate KG/mm	Dimensions mm					
			H	L	D	L1	M	2- ϕ
LZ-550	480~550	36.7	110	223	155	189	M12	M15*2
LZ-630	550~630	42	112	223	155	189	M12	M15*2
LZ-700	630~700	46.7	120	270	190	235	M14	M15*2
LZ-800	700~800	53.3	120	270	190	235	M14	M15*2
LZ-900	800~900	60	120	270	190	235	M14	M15*2
LZ-1000	900~1000	66.7	125	270	190	235	M14	M15*2
LZ-1200	1000~1200	80	135	270	190	235	M14	M15*2
LZ-1600	1200~1600	106.7	135	352	245	305	M16	M20*2
LZ-2200	1600~2200	146.7	135	352	245	305	M16	M20*2
LZ-2800	2200~2800	186.7	135	352	245	305	M16	M20*2
LZ-3300	2800~3300	220	135	352	245	305	M16	M20*2

