

# LY Spring Mounts

LIVA-EP  
利瓦环保

## Feature:

★The intrinsic spring resonance amplitude is eliminated by the double advantage of low frequency and damping of steel spring.

★Natural frequency 4.5 Hz - 4.9 Hz, damping ratio 0.065.

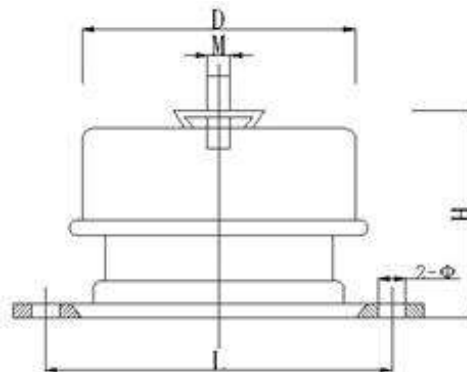
★Low natural frequency, good vibration isolation, convenient installation and replacement, safe and reliable, long working life, and strong adaptability to work environment.

★Can eliminate mechanical structure vibration, and protect and extend mechanical life.

## Applications:

★Central air conditioning equipment such as pumps, fans, air conditioning boxes, vacuum pumps, heat pumps, etc.

★Small generator, air compressor, transformer, vibrating screen and other vibration equipment.



Type	Rated Capacity KG	Dimensions mm				
		H	D	L	M	2-Φ
LY-030	1~30	70	94	128	M12	M14
LY-050	30~50	70	94	128	M12	M14
LY-070	50~70	70	94	128	M12	M14
LY-120	70~120	70	94	128	M12	M14
LY-150	120~150	85	110	148	M12	M16
LY-200	150~200	85	110	148	M12	M16
LY-250	200~250	85	110	148	M12	M16
LY-320	250~320	85	110	148	M12	M16
LY-360	320~360	85	110	148	M12	M16
LY-420	360~420	85	110	148	M12	M16