

LD Spring Mounts

LIVA-EP
利瓦环保

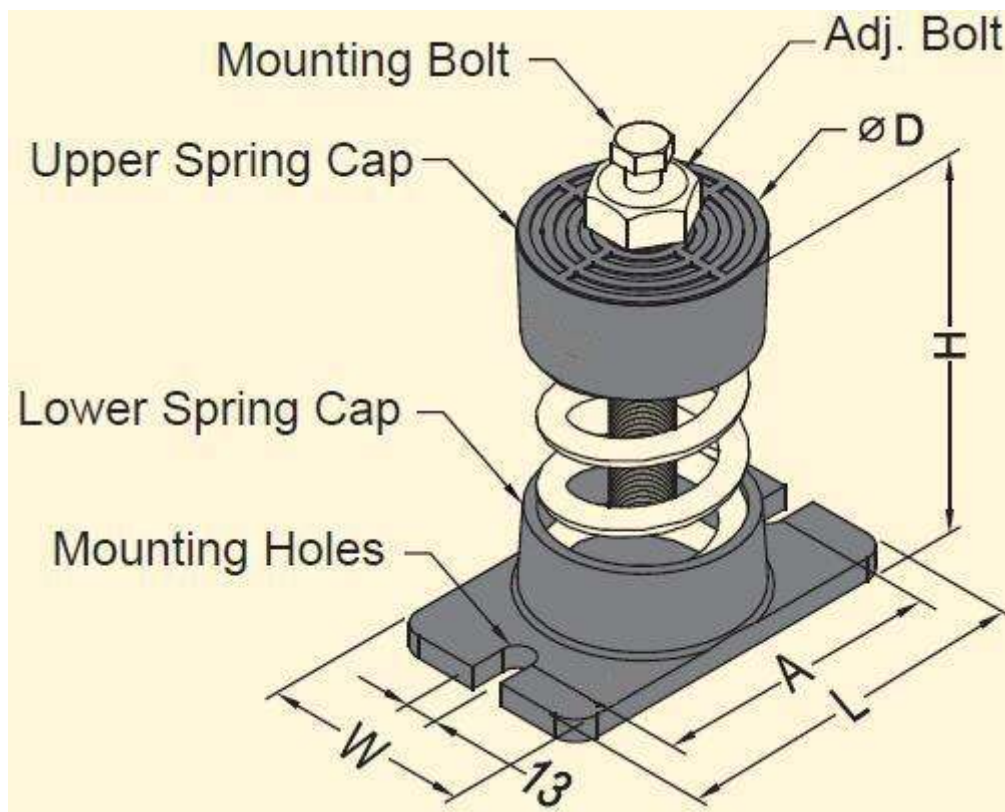
Feature:

- ★Mainly used with an inertial base as an open-type spring mount.
- ★Easy to install, allows easy inspection since the spring.
- ★Deflection can be visually checked.
- ★With a spring deflection of 25mm~75mm.
- ★Used for equipment that needs maximum isolation.
- ★Quick and easy installation.
- ★Heavy-duty vibration isolation.
- ★Spring diameter shall be not less than 0.8 times the compressed height of the spring at the design load. Springs shall have a minimum additional travel to solid equal to 50 percent of the actual deflection.



Applications:

- ★Air blowers、 Pump Base



Type	Dimensions (mm)					
	L	W	A	H	Φ D	CS
LD-C	145	83	116	154	83	M12
LD-A	145	83	116	164	83	M13

LD Spring Mounts

LIVA-EP
利瓦环保

Type	Rated Capacity KG	Spring Rate KG/mm	Rated Defl. mm	Color Code
LD-100-C	90~105	4.2	25	Yellow
LD-150-C	130~160	5.3	25	White
LD-200-C	160~210	7.1	25	Green
LD-250-C	210~260	8.7	25	Red
LD-300-C	260~320	10.8	25	Blue
LD-350-C	320~360	12.1	25	Red/Black
LD-400-C	360~430	14.2	25	Brown
LD-500-C	470~530	19.2	25	Red
LD-600-C	530~650	22.6	25	Gray
LD-700-C	650~700	26	25	Yellow
LD-850-C	700~850	33.6	25	Khaki
LD-1000-C	850~1000	46	25	Dark Green
LD-150-A	130~160	3.5	40	Blue
LD-200-A	160~210	4.9	40	Brown
LD-300-A	270~310	6.9	40	Orange
LD-350-A	340~360	8.6	40	Gray
LD-450-A	420~460	11.9	40	Red
LD-650-A	630~670	16.2	40	Green
LD-850-A	680~850	21.3	40	Dark Green
LD-1000-A	850~1100	26.6	40	Yellow

