

LB Spring Mounts

LIVA-EP
利瓦环保

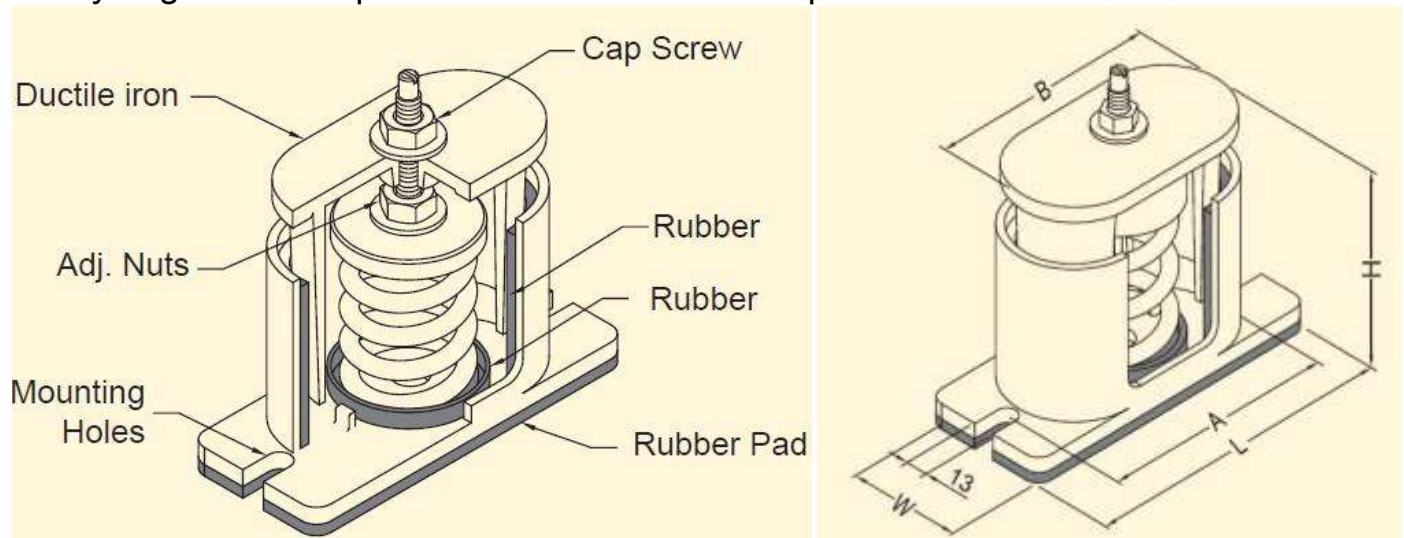
Feature:

- ★Ductile iron frame.
 - ★Hot dip galvanization finish.
 - ★Non-skid Neoprene pad.
 - ★Quick and easy installation.
 - ★Heavy-duty vibration isolation.
 - ★Weather resistant finish.
 - ★Spring diameter shall be not less than 0.8 times the compressed height of the spring at the design load.
- Springs shall have a minimum additional travel to solid equal to 50 percent of the actual deflection.



Applications:

Heavy engines, Pumps, Chillers, Boilers, Compressors, Generators, Fans



Type	Dimensions (mm)					Mounting Bolt
	L	W	A	B	H	
LB-S	150	65	130	104	130	M10
LB-M	210	86	185	149	185	M12
LB-N	210	86	185	149	185	M12

Type	Rated Capacity KG	Spring Rate KG/mm	Rated Defl. mm	Color Code
LB-020-S	10~20	0.8	25	Yellow
LB-030-S	20~30	1.2	25	Green
LB-050-S	30~50	2	25	Red
LB-070-S	50~80	2.8	25	Blue
LB-090-S	80~100	3.6	25	Brown
LB-120-S	100~130	4.8	25	Gray
LB-150-S	130~150	6	25	White
LB-180-S	150~180	7.2	25	Orange
LB-250-S	180~260	10.2	25	Purple

LB Spring Mounts

LIVA-EP
利瓦环保

Type	Rated Capacity KG	Spring Rate KG/mm	Rated Defl. mm	Color Code
LB-100-M	100~130	4.3	25	Yellow
LB-150-M	130~160	5.3	25	White
LB-200-M	160~210	7.1	25	Green
LB-250-M	210~260	8.7	25	Red
LB-300-M	260~320	10.8	25	Blue
LB-350-M	320~360	12.1	25	Red/Black
LB-400-M	360~430	14.2	25	Blue/Black
LB-450-M	430~470	15.8	25	Brown
LB-500-M	470~530	19.2	25	Brown/Black
LB-600-M	530~650	22.6	25	Gray
LB-700-M	650~700	26	25	Gray/Black
LB-850-M	700~850	33.6	25	Khaki
LB-1000-M	850~1000	46	25	Dark Green
LB-150-N	100~160	3.5	40	Blue
LB-200-N	160~210	4.9	40	Brown
LB-300-N	270~310	6.9	40	Orange
LB-350-N	340~360	8.6	40	Gray
LB-450-N	420~460	11.9	40	Red
LB-650-N	630~670	16.2	40	Green
LB-700-N	680~720	18.3	40	Purple
LB-1000-N	720~1000	26.6	40	Yellow

